

STANDARD SHELVES

- ROUNDED WIRE ENDS
- 1,100x890 MM FOR RACKING WITH 50 MM BEAMS, MESH SIZE 50x100 MM, WATERFALL 25 MM
- PRE-GALVANIZED FINISH
- REINFORCEMENT: FLAT BARS (500 KG) OR STANDARD AND INVERTED OMEGA PROFILE (500, 800 AND 1,000 KG UDL)
- SAFETY WIRE IN THE FRONT AND BACK



CUSTOM SHELVES

- FOR OTHER RACK DEPTHS THAN 1,100 MM, MAINLY FOR 800, 900, 1,000, 1,050 AND 1,200 MM
- SHELF DEPTH UP TO 3,000 MM
- INTEGRATED BACK STOP
- DIFFERENT MESH SIZE, MINIMUM 25x25 MM
- OTHER TYPES OF BEAMS: 40 MM BOX BEAMS, STEP-BEAMS, Z-BEAMS AND SO ON
- OTHER FINISHING LIKE ELECTRO-ZINC PLATING AND POWDER COATING
- FOR DOUBLE AND TRIPLE RACKS



FINISHING FIRST
PRE-GALVANIZED: STANDARD
ELECTRO-ZINC PLATED: NON-STANDARD
POWDER COATED: NON-STANDARD

A SAFER TOMORROW SINCE 1955 →



SHELVES AND DIVIDERS

WIRE MESH SOLUTIONS FOR
 SECURE AND VERSATILE STORAGE

SAFE AND SOUND WITH TROAX

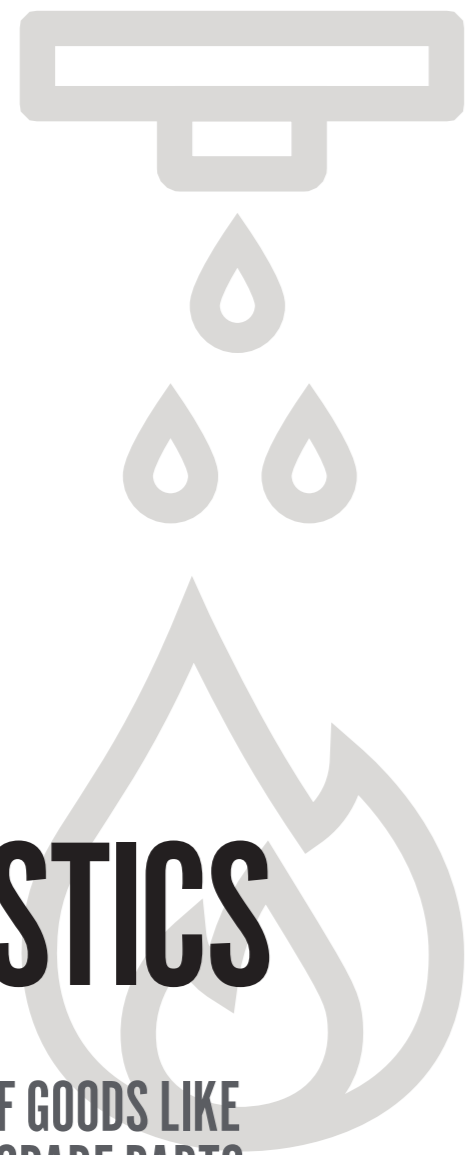
Troax's mesh shelves and dividers are essential parts in many warehouse facilities around the world. They're used in traditional warehouses, multi-level picking areas, VNA picking areas and large automated warehouses. Our products make storage easier, more versatile and above all safer.

In short, we protect people from injuries and prevent machinery as well as goods from getting damaged in everyday work. Troax's products also drastically reduce the risk of fire spreading in warehouses. All of this is possible thanks to innovative design and many smart features.

- BOTH STANDARD AND CUSTOMIZED
- STANDARD SHELVES ON STOCK
- SHORT LEAD-TIME WITH PRODUCTION IN POLAND
- RAPID PROTOTYPING
- HIGH STEEL QUALITY
- ROUNDED WIRE ENDS
- SAFETY WIRES
- DESIGNED ACCORDING TO ANSI
- STANDARD AND INVERTED OMEGA PROFILES

SHELF CHARACTERISTICS

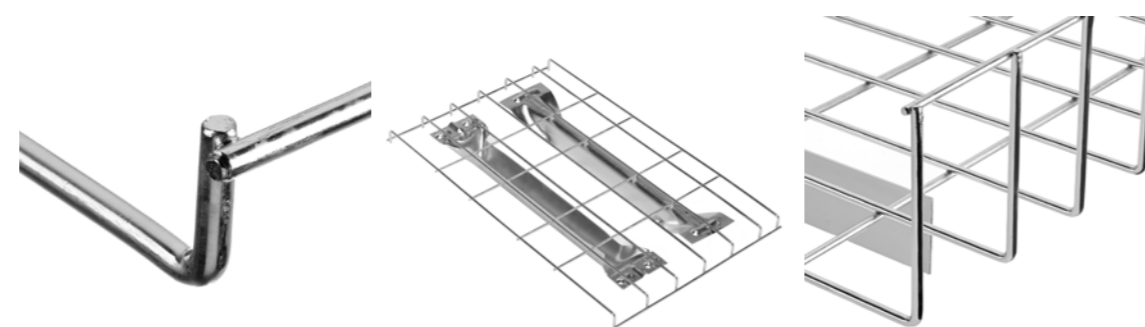
- SAFE STORAGE OF ALL KINDS OF GOODS LIKE PALLETS, CARTON BOXES AND SPARE PARTS.
- TROAX'S SHELVES HAVE MORE THAN 70% OPEN AREAS, WHICH IS COMPLIANT WITH ESFR REQUIREMENTS AND FIRE REGULATIONS. THE MESH ALLOWS WATER FROM SPRINKLER SYSTEMS TO PASS THROUGH. THIS FEATURE INCREASES THE OVERALL FIRE SAFETY AND REDUCES COSTS.
- DESIGNED ACCORDING TO THE ANSI MH26.2-2017 MESH SHELF NORM.
- CAPACITY: 300, 500, 800 AND 1,000 KG UDL.



SMOOTH AND STRONG SHELVES

All wire ends are rounded in the production process and each shelf has a safety wire in the front and back waterfall. An external wire is welded on the outside to protect the wire ends. This smooth feature reduces the risk of injuries while handling goods. Troax has two kinds of

omega reinforcements, one with the opening upwards, and one with an inverted omega reinforcement. The latter prevents dust from settling, which makes it suitable for the food industry. Troax uses steel in high-grade quality for both wires and omega reinforcements.

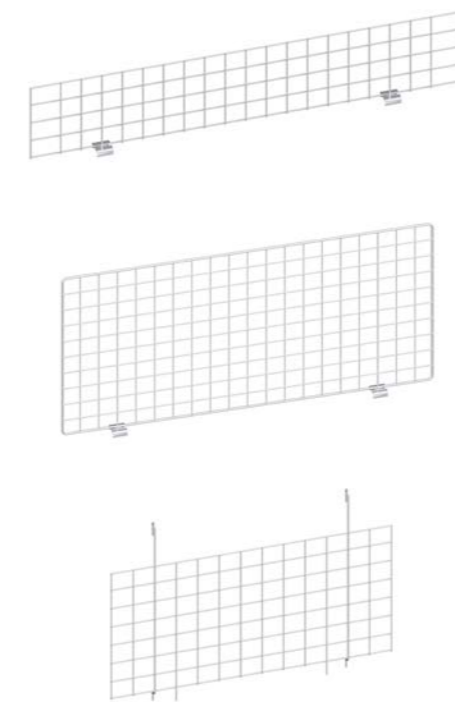


- WIRE TENSILE STRENGTH: 600–700 MPA
- OMEGA TENSILE STRENGTH: 270–500 MPA
- OMEGA REINFORCEMENT STEEL GRADE: DX51D+Z

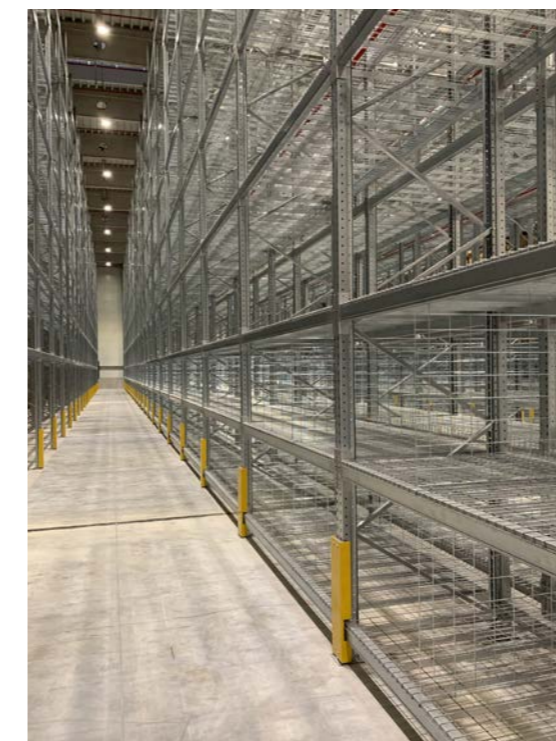


DIVERSE DIVIDERS

Troax offers all types of dividers in different sizes and shapes to optimize your shelf solution. Our dividers are made of high-grade steel for maximum durability, keeping your warehouse organized and your goods safe. We offer mesh dividers with clips in three standard heights: 200, 300 and 500 mm.



STANDARD DIVIDERS WITH CLIPS / DIVIDERS WITH EXTERNAL WIRE / HANGING DIVIDERS / FLUE SPACER DIVIDERS / DIVIDERS WITH TUBULAR FRAMES / AND MUCH MORE *



* DID YOU KNOW?

IN ADDITION TO STANDARD DIVIDERS, TROAX ALSO OFFERS CUSTOM DIVIDERS WITH WIRES, FRAMES, POLYETHENE OR POWDER COATING, AND PIGEONHOLES/BOXES FOR LONG PROFILES.

PERFORM UNDER PRESSURE



By following the ANSI standard, the safety factor is a least 2.0. In practice, this means that a shelf from Troax won't collapse until it's overloaded by twice the promised weight. The maximum ANSI deflection is 1:165. In short, the deflection in mm cannot be more than the depth of the rack divided by 165 (ex: 1,100/165=6.7 mm). Troax also provides shelves according to European requirements in the

pallet rack industry (safety factor 1.3 with deflection 1:100). Thanks to Troax Safety Center, we're able to create and optimize strong and durable system solutions for specific customer needs. We provide professional advice along the way and all the necessary tests. Our testing procedures are always carefully documented and available to our customers.